

See discussions, stats, and author profiles for this publication at: <https://www.researchgate.net/publication/323120932>

# Introductory Chapter: Introduction to Photovoltaic Effect

Chapter · July 2018

DOI: 10.5772/intechopen.74389

---

CITATIONS

0

READS

154

1 author:



**Beddiaf Zaidi**

The University of Batna

55 PUBLICATIONS 47 CITATIONS

SEE PROFILE

Some of the authors of this publication are also working on these related projects:



Photovoltaics Materials and Solar Cells [View project](#)



Thermodynamic properties of transition metal oxides [View project](#)

# We are IntechOpen, the world's leading publisher of Open Access books Built by scientists, for scientists

3,500

Open access books available

108,000

International authors and editors

1.7 M

Downloads

Our authors are among the

151

Countries delivered to

TOP 1%

most cited scientists

12.2%

Contributors from top 500 universities



WEB OF SCIENCE™

Selection of our books indexed in the Book Citation Index  
in Web of Science™ Core Collection (BKCI)

Interested in publishing with us?  
Contact [book.department@intechopen.com](mailto:book.department@intechopen.com)

Numbers displayed above are based on latest data collected.  
For more information visit [www.intechopen.com](http://www.intechopen.com)



# Introductory Chapter: Introduction to Photovoltaic Effect

Beddiaf Zaidi

Additional information is available at the end of the chapter

<http://dx.doi.org/10.5772/intechopen.74389>

## 1. Spectral characteristics of solar radiation

Solar radiation is a radiant energy emitted by the Sun as a result of its nuclear fusion reactions. Spectral characteristics of solar radiation, both external to the Earth's atmosphere and at the ground, can be seen in **Figure 1**. Over 99% of the energy flux from the Sun is in the spectral region of 0.15–4  $\mu\text{m}$ , with approximately 50% in the visible light region of 0.4–0.7  $\mu\text{m}$ . The total amount of energy emitted by the Sun and received at the extremity of the Earth's atmosphere is constant, that is, 1370  $\text{W}/\text{m}^2/\text{s}$ . The amount of energy received per unit area of the

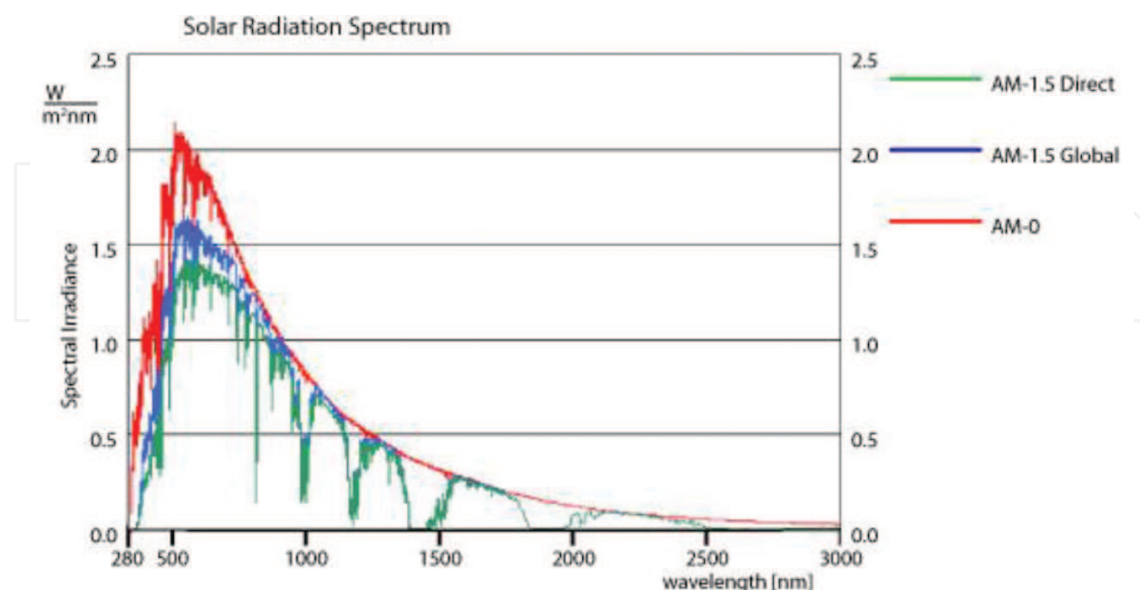


Figure 1. Spectral distribution of radiation intensity [1].

Earth's surface is  $343 \text{ W/m}^2/\text{s}$ . The standard spectrum for space applications is referred to as  $\text{AM}_0$ . It has an integrated power of  $1366.1 \text{ W/m}^2$ . Two standards are defined for terrestrial use: (1) the  $\text{AM}_{1.5}$  global spectrum is designed for flat plate modules and has an integrated power of  $1000 \text{ W/m}^2$  and (2) the  $\text{AM}_{1.5}$  direct spectrum is defined for solar concentrator work. It includes the direct beam from the Sun and the circumsolar component in a disk of  $2.5^\circ$  around the sun. The direct and circumsolar spectra have an integrated power density of  $900 \text{ W/m}^2$  (**Figure 1**).

## 2. History of photovoltaic effect

The photovoltaic effect was discovered in 1839 by the French physicist, Alexandre Edmond Becquerel. While experimenting with metal electrodes and electrolyte, he discovered that conductance increases with illumination. Willoughby Smith discovered the photovoltaic effect in selenium in 1873. Albert Einstein described the phenomenon in 1904. The first silicon monocrystalline solar cell was constructed in 1941. In 1951, the first germanium solar cells were made. Bell's Laboratories published the results of the solar cell operation with 4.5% efficiency. The efficiency was increased to 6% within a few months. In 1957, Hoffman Electronics introduced a solar cell with 8% efficiency. A year later, in 1958, the same company introduced a solar cell with 9% efficiency. The first radiation-proof silicon solar cell was produced for the purposes of space technology in the same year. In 1960, Hoffman Electronics introduced another solar cell with 14% efficiency. In 1977, the world production of photovoltaic modules exceeded 500 kW. In 1984, ARCO Solar introduced the first amorphous modules. In 1985, researchers at the University of New South Wales in Australia constructed a solar cell with more than 20% efficiency. In 1996, BP Solar purchased APS announced a commercial CIS solar cells production. During 2000 and 2001, the production by Japanese manufacturers increased significantly.

## 3. Solar cell structure

When a solar cell is illuminated by sunlight, photon energy of the incident light is converted to direct current electricity through the process of photovoltaic effect of the solar cell. Incident light causes electron-hole pairs to be generated in the semiconductor, and there is an increase in the concentration of minority carriers (electrons in the p-type region and holes in the n-type region) in the depletion region. This increase in the concentration of minority carriers results in the flow of the minority carriers across the depletion region into the quasineutral regions. These photo-generated carriers cause the flow of photo-generated current. When the junction is in the open-circuit condition, no net current can flow inside the p-n junction; thus, the current resulting from the flux of photo-generated and thermally generated carriers is balanced by the opposite recombination current (**Figure 2**).

If a load is connected between the electrodes of the illuminated p-n junction, some fraction of the photo-generated current will flow through the external circuit. The potential difference between the n-type and p-type regions will be lowered by a voltage drop over the load. Also, the electrostatic potential difference over the depletion region will be decreased, which results in an increase in the recombination current [2].

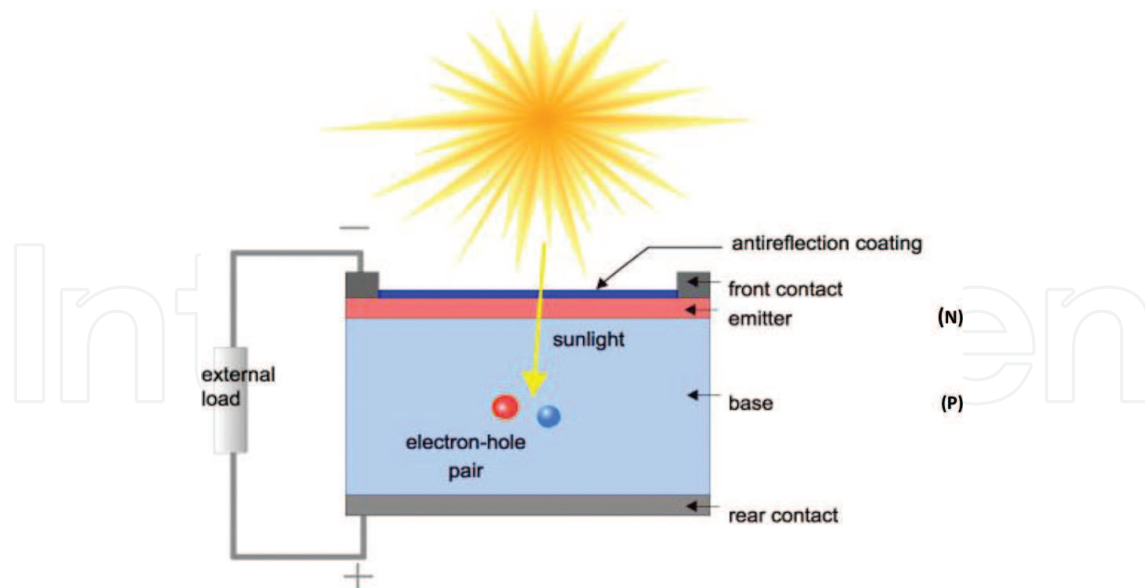


Figure 2. Incident light on a typical PN solar cell.

#### 4. Basic structure of a solar cell

Most solar cell technologies [3] have:

- Anti-reflecting coating (ARC), which is a very important part in solar cell fabrication. It is usually sprayed over bare silicon cell because silicon has a high surface reflection.
- Front contacts that are necessary to collect the current generated by a solar cell. They are usually made of metals.
- An emitter that absorbs the incoming photons and transports their energies to the excited state of charge carriers. Pentavalent-doped silicon (n-type) has a higher surface quality than trivalent doped silicon (p-type), so it is placed at the front of the cell, where majority of the light is absorbed.
- In p-n junction, in its simplest form, the base (p-type) region is joined at a junction with emitter (n-type) region leading to majority electrons in the n-type side close to the junction to diffuse of to the p-type side and majority hole from the p-type to diffuse n-type side.
- Rear contact is a less important than the front contact because it is much way from the junction and does not need to be transparent.

#### 5. Equivalent circuit of a solar cell

To understand the electronic behavior of a solar cell, it is useful to create a model, which is electrically equivalent and is based on discrete electrical components whose behavior is well known. An ideal solar cell may be modeled by a current source in parallel with a diode;

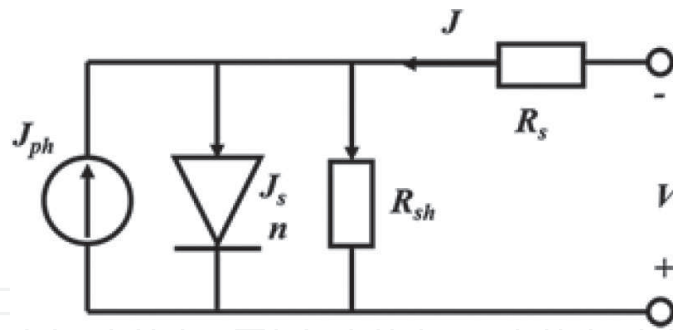


Figure 3. The equivalent circuit of a solar cell.

in practice, no solar cell is ideal, so a shunt resistance and a series resistance component are added to the model (Figure 3) [4, 5].

### 5.1. Characteristic equation

From the equivalent circuit, it is evident that the current produced by the solar cell is equal to that produced by the current source, minus that which flows through the diode, minus that which flows through the shunt resistor:

$$J = J_{ph} - J_s - J_{sh}$$

where  $J$  is the output current,  $J_{ph}$  is the photo-generated current,  $J_s$  is the diode current, and  $J_{sh}$  is the shunt current.

The current through these elements is governed by the voltage across them:

$$V_j = V + JR_s$$

where  $V_j$  is the voltage across both diode and resistor  $R_{sh}$  and  $V$  is the voltage across the output terminals.

By the Shockley diode equation, the current diverted through the diode is:

$$J_s = J_0 \left[ \exp\left(\frac{V + JR_s}{n V_T}\right) - 1 \right]$$

where  $J_0$  is the diode reverse saturation current (A),  $R_s$  is the series resistance ( $\Omega$ ),  $R_{sh}$  is the shunt resistance ( $\Omega$ ) and  $n$  is the diode ideality factor. Here, the shunt current is:

$$J_{sh} = \frac{(V + JR_s)}{R_{sh}}$$

Combining this and above equations results in the complete governing equation for the single-diode model:

$$J = J_{ph} - J_0 \left[ \exp\left(\frac{V + JR_s}{n V_T}\right) - 1 \right] - \frac{(V + JR_s)}{R_{sh}}$$

The output power is given by:

$$P = V \left( J_{ph} - J_0 \left[ \exp \left( \frac{V + J R_s}{n V_T} \right) - 1 \right] - \frac{(V + J R_s)}{R_{sh}} \right)$$

### 5.2. Solar cell characteristics in practice

The J-V characteristic of a solar cell in practice usually differs to some extent from the ideal characteristic. The solar cell may also contain series ( $R_s$ ) and parallel (or shunt,  $R_p$ ) resistances, leading to a characteristic of the form where the light-generated current  $J_{ph}$  may, in some instances, depend on the voltage, as we have already noted (**Figure 4**) [6].

### 5.3. Fill factor

As always in electrical engineering, optimal power output requires a suitable load resistor that corresponds to the ratio ( $V_m/J_m$ ).  $V_m$  and  $J_m$  are, by definition, the voltage and current at the optimal operating point, and  $M_{pp}$  is the maximum achievable power output [7]. We now form the ratio of peak output ( $V_m \cdot J_m$ ) to the variable ( $V_{oc} \cdot J_{sc}$ ) and call this ratio the fill factor (FF) of a solar cell:

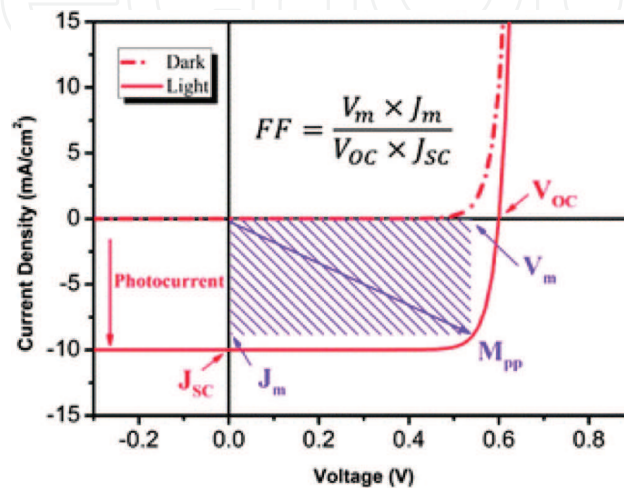
$$FF = \frac{V_m \cdot J_m}{V_{oc} \cdot J_{sc}}$$

### 5.4. Efficiency

The efficiency of a solar cell is defined as the ratio of the photovoltaic-generated electric output of the cell to the luminous power falling on it [8]:

$$\eta = \frac{V_m \cdot J_m}{P_{light}} = \frac{FF \cdot V_{oc} \cdot J_{sc}}{P_{light}}$$

The silicon solar cells have dominated the PV market for so many years. They have been produced to be used for both research and commercial purposes. They have dominated the



**Figure 4.** The superposition principle for solar cells.

Cell	Area (cm <sup>2</sup> )	V <sub>oc</sub> (v)	J <sub>sc</sub> (mA/cm <sup>2</sup> )	FF (%)	η (%)
c-Si	143.7	0.740	41.8	82.7	25.6 ± 0.5
Poly-Si	243.9	0.663	39.03	80.3	20.8 ± 0.6
a-Si:H	1.001	0.896	16.36	69.8	10.2 ± 0.3
CIGS/CdS	0.988	0.752	35.3	77.2	20.5 ± 0.6
CdTe/CIS	1.062	0.876	30.25	79.4	21.0 ± 0.4
Organic	0.993	0.793	19.40	71.4	11.0 ± 0.3

**Table 1.** Current operational data of compared technologies based on modules.

market because of the abundance of silicon, nontoxicity, module efficiency, and excellent cell stability. There are various levels of skills for production of the evaluated technologies (monocrystalline [9], polycrystalline [10–13], amorphous [14], and inorganic and organics cells). The current operating data of the evaluated cells in their module state are compared in **Table 1**. These data were measured under the global AM1.5 spectrum (1000 W/m<sup>2</sup>) at 25°C.

## Author details

Beddiaf Zaidi

Address all correspondence to: zbeddiaf@gmail.com

PRIMALAB Laboratory, Department of Physics, Faculty of Material Sciences, University of Batna 1, Batna, Algeria

## References

- [1] Luque S et al. Handbook of Photovoltaic Science and Engineering. Chichester: John Wiley and Sons; 2003
- [2] Tang Y et al. N+ emitters realized using Ammonium Dihydrogen Phosphate for silicon solar cells. *Solar Energy*. 2013;**95**:265-270
- [3] Wolf S, et al. Towards industrial application of isotropic texturing for multi-crystalline silicon solar cells. Proc. of the 16th European PV Solar Energy Conference. Glasgow, United Kingdom. 2000
- [4] Zaidi B et al. Simulation of single-diode equivalent model of polycrystalline silicon solar cells. *International Journal of Materials Science and Applications*. 2018;**7**:8-10
- [5] Sze SM. *Semiconductor Devices*. New York: John Wiley; 1981

- [6] Zaidi B et al. Matlab/Simulink based simulation of monocrystalline silicon solar cells. *International Journal of Materials Science and Applications*. 2016;5:11-15
- [7] Honsberg C et al. *Photovoltaics: Devices, Systems and Applications [CDROM]*. Sydney (Aus): University of New South Wales; 1998
- [8] Zaidi B. *Cellules Solaires Éditions Universitaire Européennes*. 2016
- [9] Beaucarne G. Silicon thin-film solar cells. *Advances in Optoelectronics*. 2007
- [10] Zaidi B et al. Hydrogenation effect on electrical behavior of polysilicon thin films. *Silicon*. 2015;7:275-278
- [11] Zaidi B et al. Effet des Traitements Thermiques sur le Comportement Électrique des Couches de Silicium Polycristallin pour des Applications Photovoltaïques. *Revue de Métallurgie*. 2011;108:443-446
- [12] Zaidi B et al. Influence of doping and heat treatments on carriers mobility in polycrystalline silicon thin films for photovoltaic application. *Turkish Journal of Physics*. 2011; 35:185-188
- [13] Zaidi B et al. Optimum parameters for obtaining polycrystalline silicon for photovoltaic application. *American Journal of Nanosciences*. 2015;1:1-4
- [14] Zaidi B et al. Electrical energy generated by amorphous silicon solar panels. *Silicon*. DOI: 10.1007/s12633-017-9555-8

IntechOpen

